



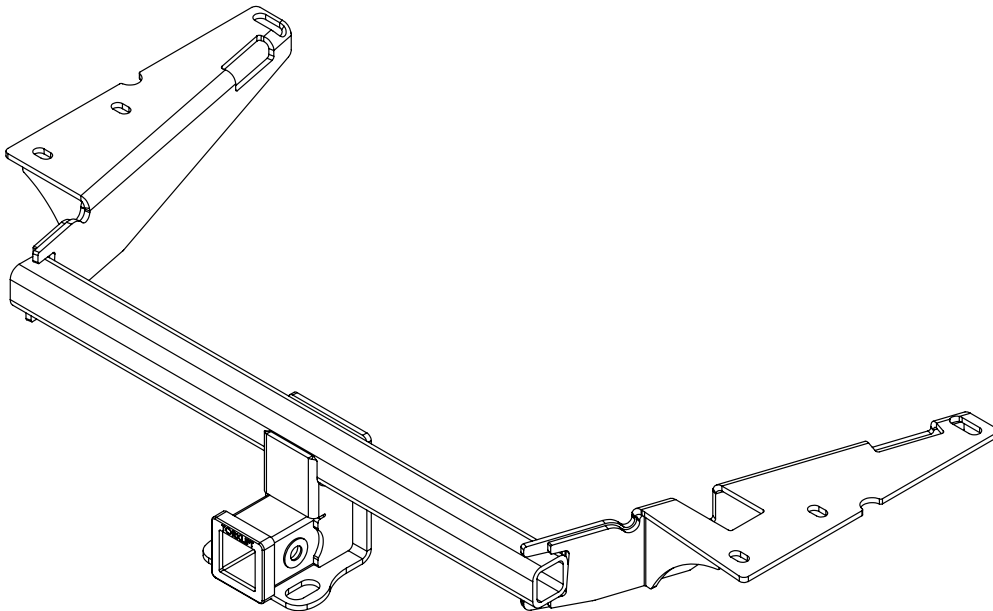
Installation Instructions

Application Fits

2012-2015 Honda Honda CR-V
X7297 & X7298

2" & 1.25" EcoHitch Stealth

350 lb. Tongue Weight/ 3,500 lb. Towing Weight



Torklift Central
315 Central Ave N
Kent, WA 98032
253-854-1832
www.torkliftcentral.com
support@tlcentral.com

Stay Connected



torkliftcentral



torkliftcentral



tlcentral



torklift central



torklift central



Bolt Kit Weight: 317g+/-

Hardware Included

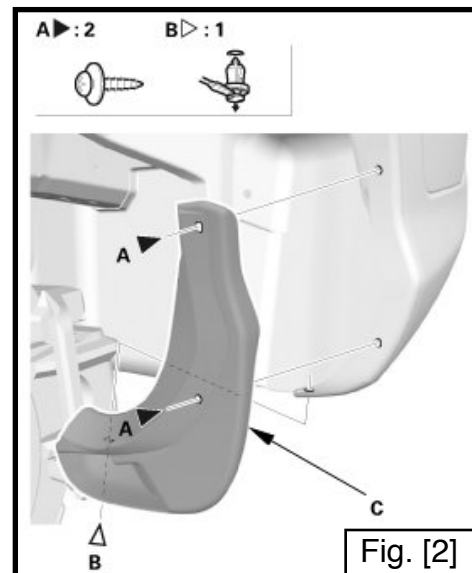
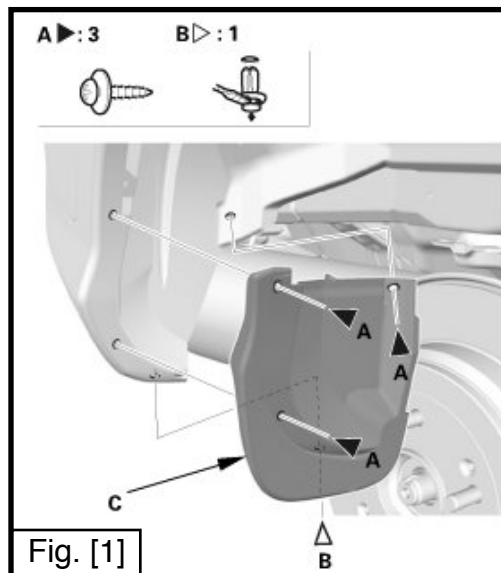
QTY Fastener

- 6 3/8" Flat Washer
- 6 M10 Lock Washer
- 6 M10-1.25x40mm Hex Cap Screw

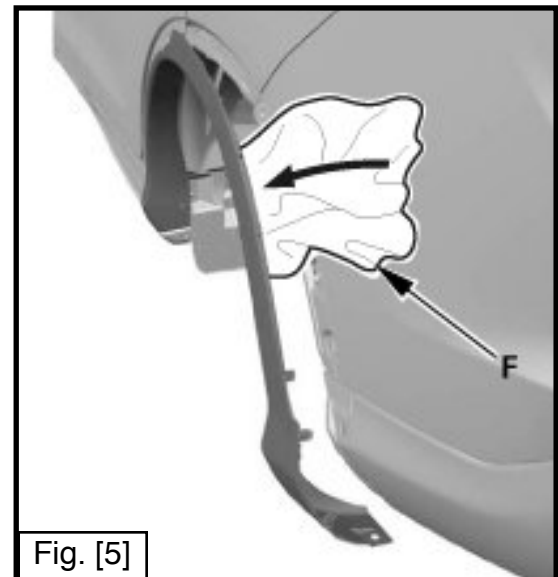
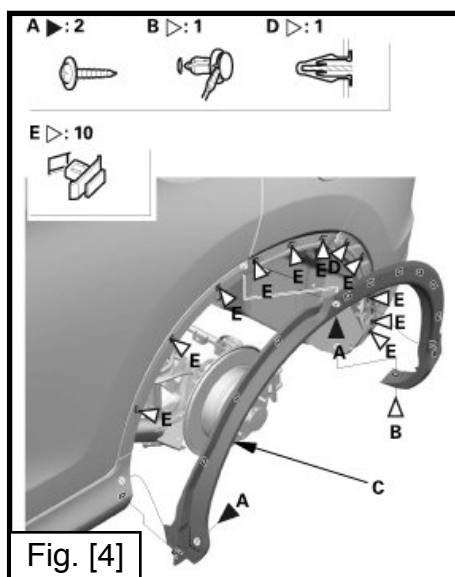
READ THESE INSTRUCTIONS THOROUGHLY AND ACCOUNT FOR ALL HARDWARE LISTED BEFORE BEGINNING INSTALLATION!

Step 1. Raise vehicle on suitable jack stands, ramps, or hoist.

Step 2. Remove the passenger and driver side mud guards if equipped by removing the necessary screws and push pin clips. See Figure [1] & [2].



Step 3. Remove the (B) push pin clip and (A) screw at the top of the wheel well trim. Gently unsnap the wheel well trim away from the vehicle until you pass the bumper fascia seam. It is not required to fully remove this trim piece. See Figure [4] & [5].



Step 4. Remove all of the fasteners shown in Figure [6]. The (B) bolts will be behind the (A) plastic covers. Remove the (E) and (F) fasteners with a flat head screwdriver.

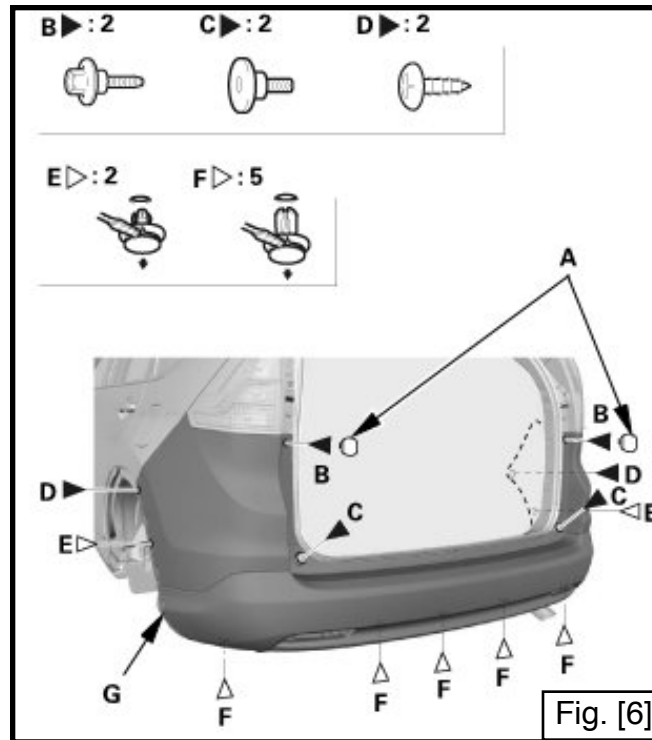


Fig. [6]

Step 5. Once all fasteners have been removed begin to peel the bumper fascia away from the vehicle starting at the driver side shown in Figure [7] and [8]. Continue unsnapping until you have reached the rear. Repeat this on the passenger side. Once at the rear, unsnap the bumper by pulling rearward. You may use a flathead tool to release the tabs at the center if necessary.

NOTE: Have an assistant help you with this step to avoid dropping and damaging the bumper.

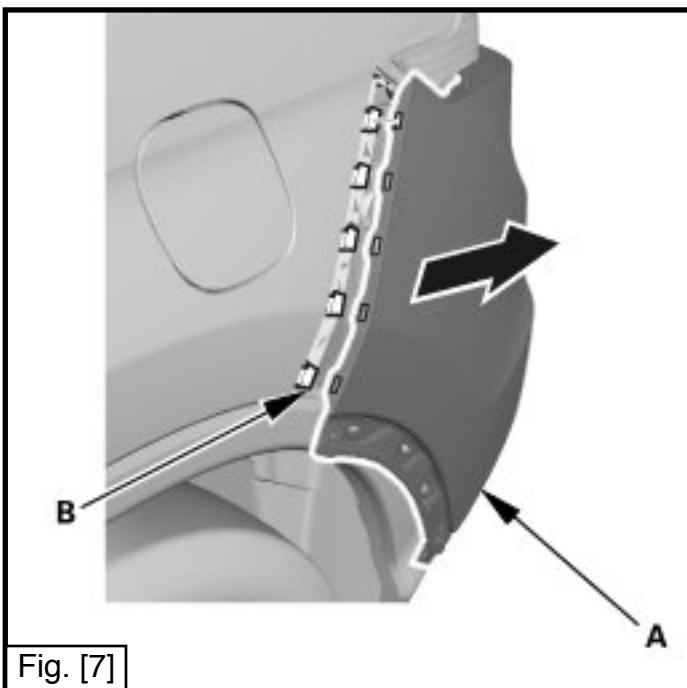


Fig. [7]

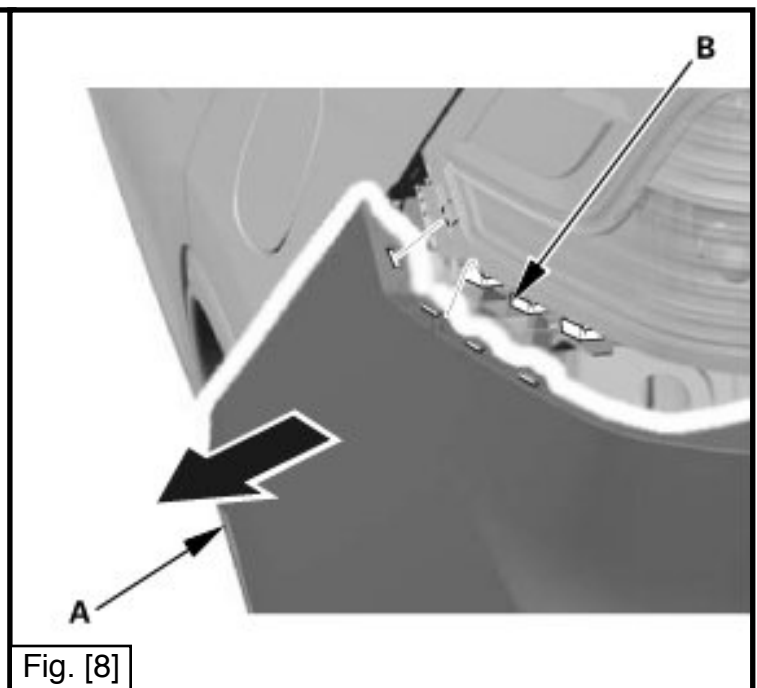
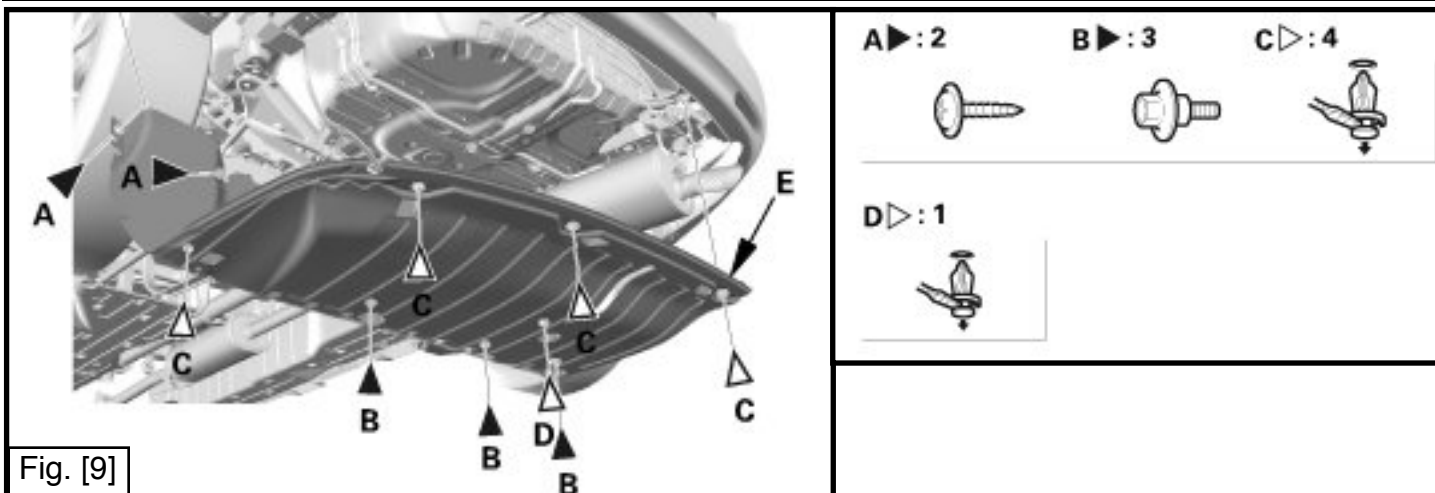


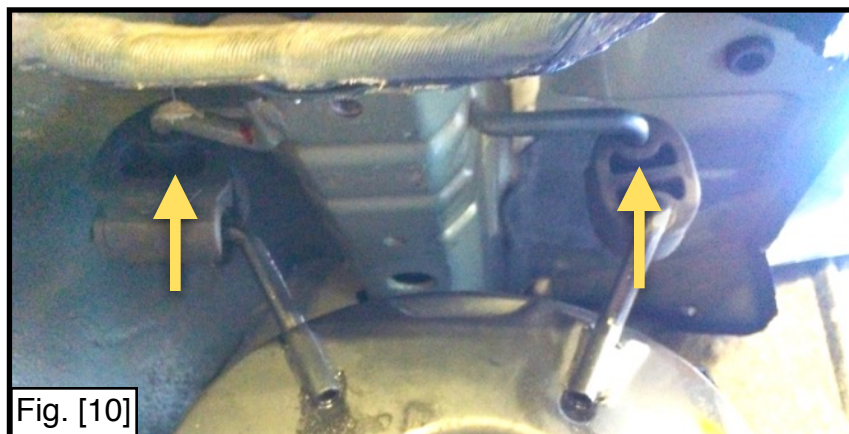
Fig. [8]

Step 6. Remove the underbody panel by removing all of the various fasteners shown in Figure [9].

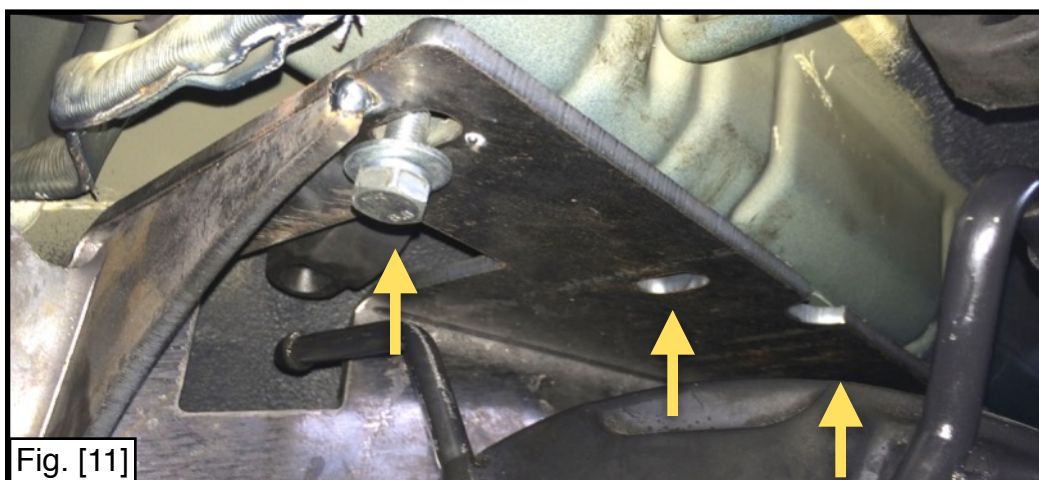


Step 7. Lower the exhaust by lubricating the rubber exhaust bungs with WD-40 or equivalent. See Figure [10].

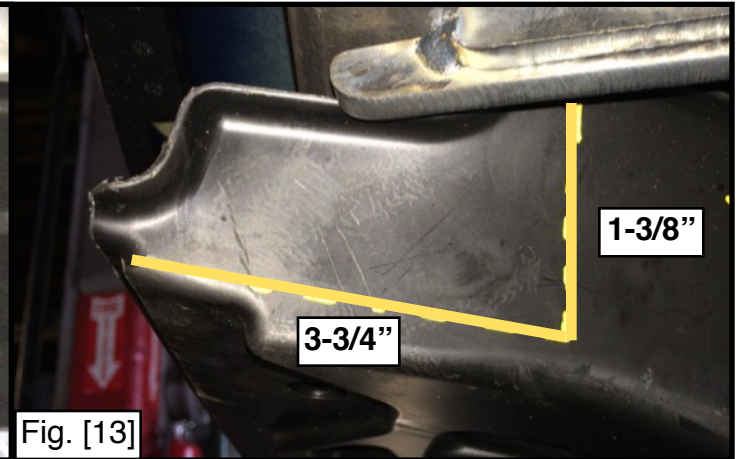
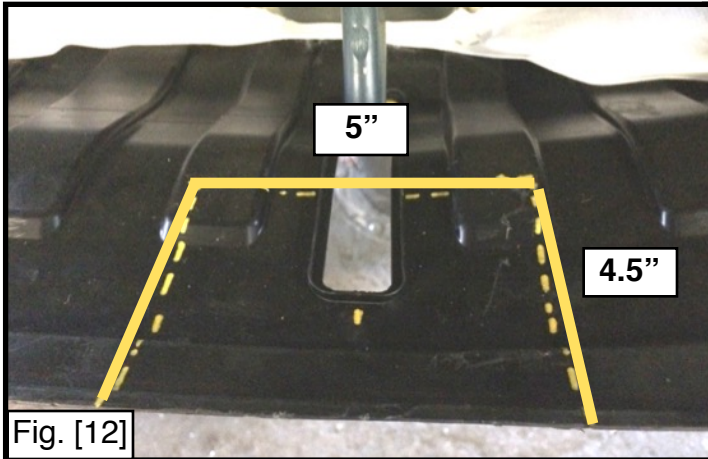
Warning: Do not let exhaust hang freely! Support with stand, wood block, or wire.



Step 8. Raise the EcoHitch into position by lining up the holes in the frame rails with in the holes in the hitch frame plates. Secure the hitch with (1) M10-1.25x40mm Hex Cap Screw, (1) M10 lock washer, and (1) 3/8" flat washer in each of the frame rail weld nuts on the driver and passenger side. Once all hardware has been hand-tightened and the hitch is centered, torque all M10 hardware to 38 ft-lbs. See Figure [11].



Step 9. Mark and trim the sections shown in Figure [12] and [13] from the underbody panel.



Step 9. Once the underbody panel has been trimmed and the hitch is in position, reinstall the exhaust hanger bungs, underbody panel, and bumper fascia by following these instructions in reverse starting at Step 7.

Congratulations on the completed installation of the Honda CR-V Stealth EcoHitch! It is designed with a lifetime warranty for a lifetime of enjoyment. If you have any questions or suggestions please contact our tech support at support@tlcentral.com or by phone at (253) 854-1832.



WARRANTY/DISCLAIMER INFORMATION

Torklift Central requires proof of purchase for warranty claim registration, with pictures of any defective product before issuing a replacement. Torklift will not accept claims on any product without proof of purchase, which can be faxed, scanned, emailed or mailed to the information provided below. Torklift Central warrants its hitches, custom hitch receivers and accessories (excluding electrical wire harnesses which carry a warranty from their specified manufacturer) from date of purchase against defects in material and workmanship under normal use and service for the ownership life of the original consumer purchaser. Torklift Central will replace free of charge any part that proves defective in material or workmanship when presented to Torklift Central, transportation charges prepaid by purchaser, at the address below. **This warranty is limited to defective parts replacement only. Labor charges and/or damage incurred in installation or replacement, as well as incidental and consequential damages connected therewith are excluded.** This warranty does not include normal wear and tear or the finish and paint. Rusting, cracking or peeling of the finish is also excluded. Some states do not allow the exclusion or limitation of incidental or consequential damages, so the above limitation or exclusion may not apply to you. Any damage to Torklift Central products as a result of misuse, abuse, neglect, accident, improper installation or any use violative of instructions furnished by Torklift Central will void the warranty. This warranty gives you specific legal rights and you may also have rights, which vary from state to state. With warranty service, you may be able to go to a small claims court, a state court or a federal district court.

Although Torklift Central trailer hitches are both tested and rated for towing within the specific capacity label found on each trailer hitch. Torklift Central assumes no liability for vehicle manufacturers warranty due to the use of a Torklift Central trailer hitch being used for towing behind any vehicle or using the trailer hitch in a manner that it was not designed for. Although this specific trailer hitch has a load rating, which includes trailer tongue weight, and a trailer weight carrying capacity, Torklift Central is not responsible for the voiding of any warranty on any vehicle due to factory towing limitations. All vehicle warranties are the sole property and responsibility of the owner of the vehicle that the Torklift Central trailer hitch is installed upon. Torklift Central does not endorse towing behind any vehicle if the vehicles manufacturer states that towing is not recommended. Check your vehicle's owner's manual for the proper tow rating of your vehicle.

ADDRESS: 315 Central Ave N. Kent, WA 98032

WARNING Your vehicle may have a lower tow rating than this trailer hitch. If your vehicle's tow rating is less than the rated towing capacity on your Torklift Central trailer hitch, your trailer hitch capacity is limited to your vehicle's factory rated towing capacity.

FOR EXAMPLE: the label on your Torklift Central trailer hitch states it's capacity is rated for 500 pounds tongue weight and 5,000 pounds towing weight. However your vehicle's factory rated towing capacity is limited to only 350 pounds tongue weight and 3,500 pounds towing weight. In this example your maximum towing capacity of your Torklift Central trailer hitch is limited to 350 pounds tongue weight and 3,500 pounds towing weight as stated by your vehicle's maximum factory tow rating.

DANGER Never exceed your vehicle's manufacturer's recommended towing capacity which may be a lower rating than this trailer hitch

Unsure of your tow rating? Download our towing app from the app store to find your vehicles tow rating.
www.torkliftcentral.com/app.php